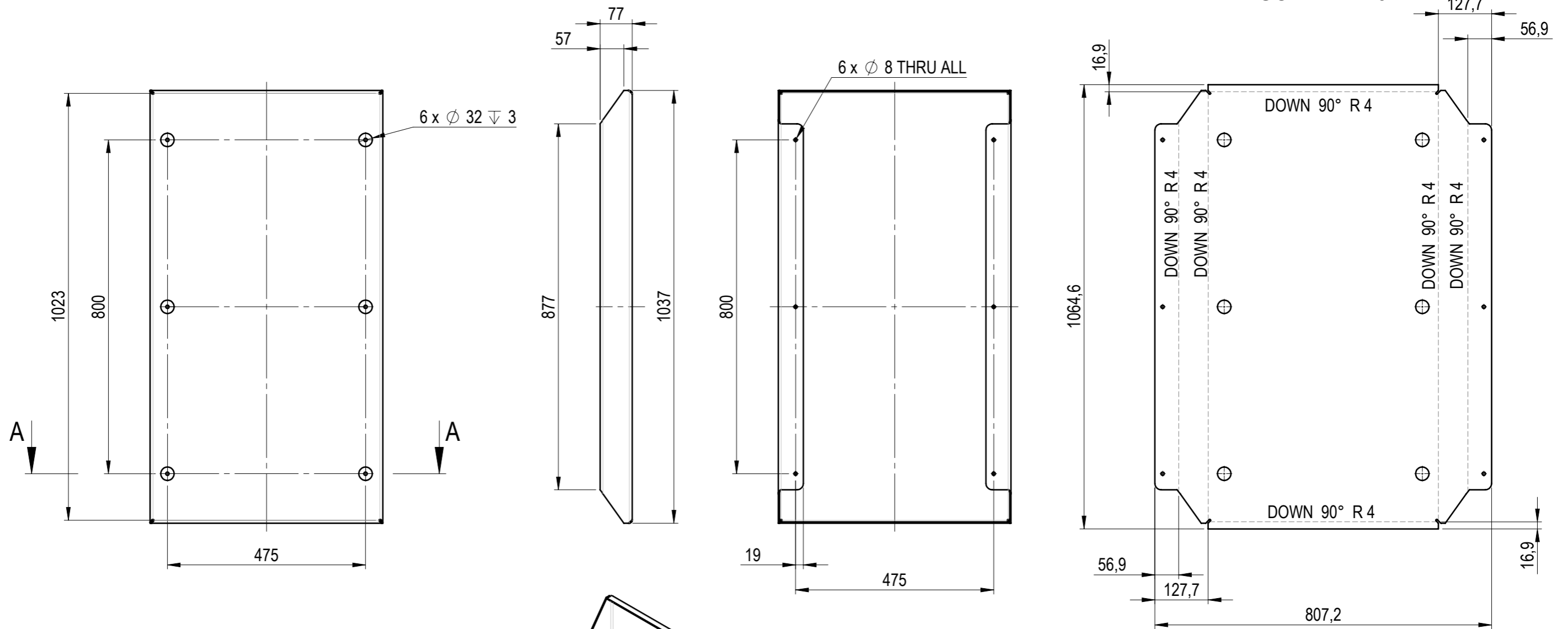
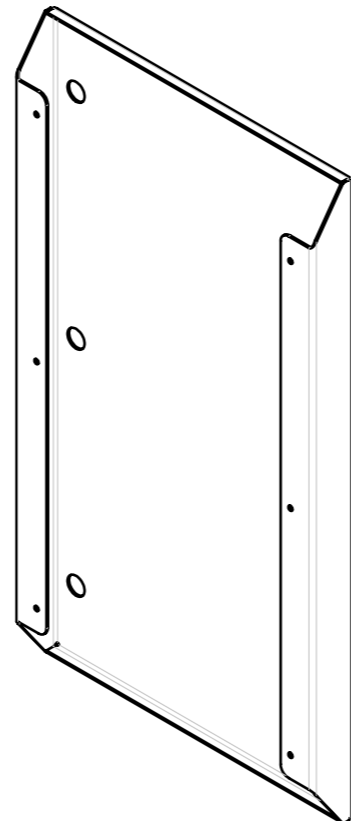
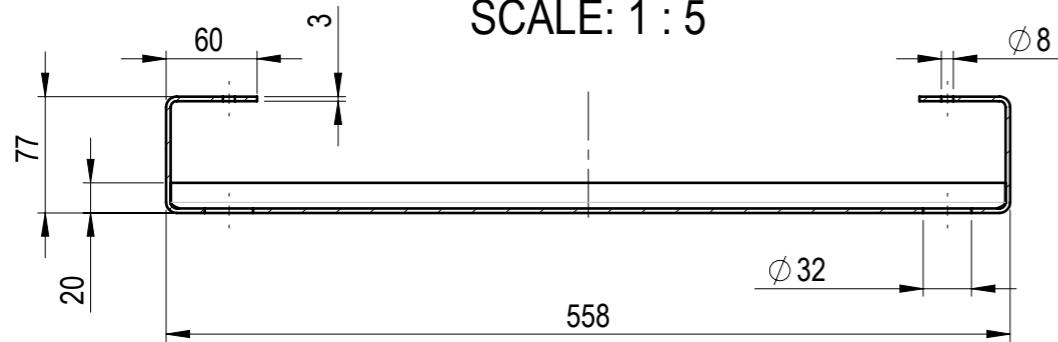


Flat Pattern view
SCALE: 1:10



A-A
SCALE: 1 : 5



SHEET METAL INFORMATION	
Length, mm	1064.6
Width, mm	807.2
Thickness, mm	3
Inside Bend Radius, mm	4
Bend Allowance, mm	7.8
No. of Bends	6

Other dimensions from .DXF file.

	MATERIAL	WEIGHT	DEBURR AND BREAK SHARP EDGES		REVISION	DATE	
	DX51D+Z275	19.294 Kg	DO NOT SCALE DRAWING			30.06.2025	
	SURFACE PROTECTION	MACHINING	THERMAL CUTTING	WELDING	SCALE	FORMAT	
	-	ISO 2768 mK	ISO 9013 221	ISO 13920 BF	1:10	A3	
NAME	SIGNATURE	PART NO.					
Designed by	D. Dislers	105-30510-01					
Drawn by	E. Kriviss	DESCRIPTION					
Technical ref.		Fairing segment 1				SHEET 1/1	